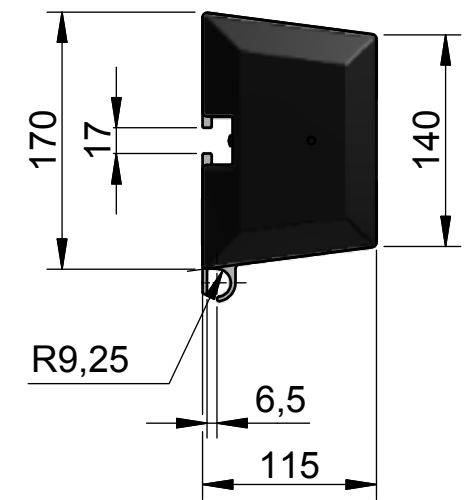
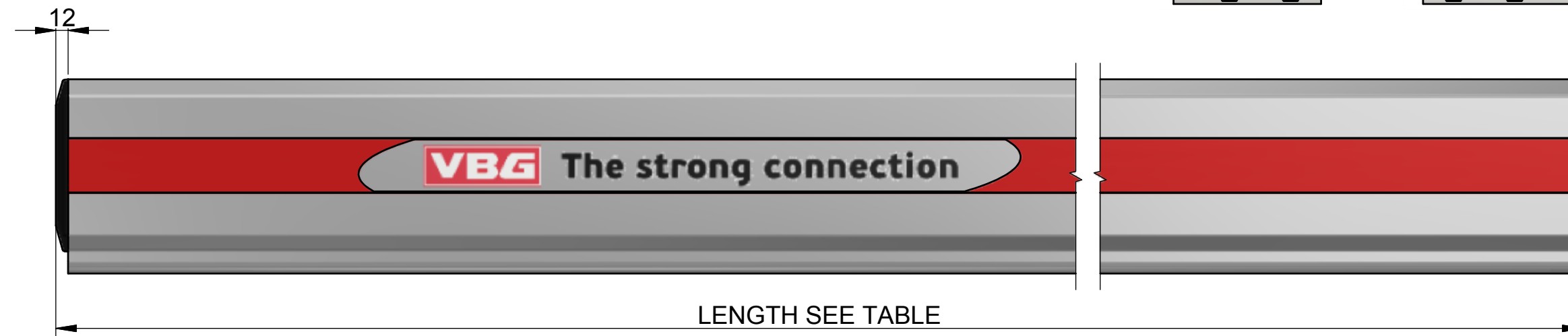
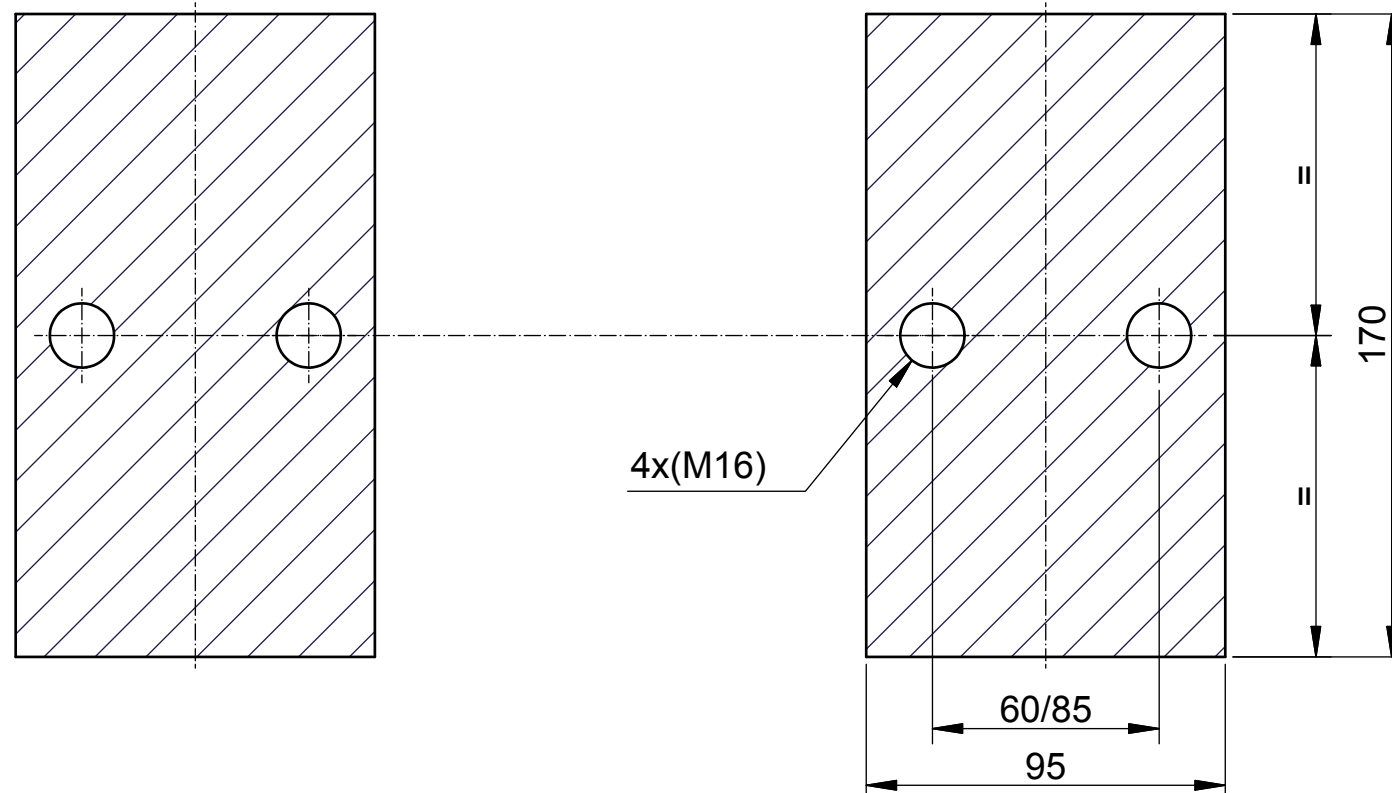


VBG PART NO	LENGTH	VERSION	QUANTITY	BOLT KIT 21-175000
21-210600	2400	With Outline marker (red)	1 pc	included
21-211000	"	"	12-pack	not included
21-210700	2400	With Outline marker (red) and Reflector kit	1 pc	included
21-211100	"	"	12-pack	not included
21-210800	2400	With Outline marker (red) and VBG decal	1 pc	included
21-211200	"	"	12-pack	not included
21-210900	1900	With Outline marker (red) and VBG decal	1 pc	included
21-211300	"	"	12-pack	not included

Bolt kit  
21-175000



MIN. SUPPORT AREA  
MIN 760 - MAX 1300



1 PROTECTION BEAM OF UHAP DESIGN  
TYPE APPROVAL NO: s  
e11\*70/221\*2006/20\*5001  
E11 R58-02 5001



**VBG GROUP**

Description  
AI Protection beam assy with VBG Decal  
including Bolt kit  
UHAP-2

Modified Date	2012-08-30	Modified by	JE	Modification No.	11827	Issue	a		
3D Model No.	21-210800			Engineer	JE	Checked by			
Sheet Size	A3	Scale	1:5	Projection		Drafting Date	2012-06-27		
Stage	P	Drawing No.	21-210800 (F) INFO					Drafted by	JB
<small>This drawing is the property of VBG Group AB and is protected in accordance with prevailing law. Changes must be made in CAD-program, this concerns both 2D &amp; 3D.</small>									